

STRADA  
Dedacciai

WWW.DEDACCIAISTRADA.COM



OFF ROAD  
Dedacciai



## Temerario

Advies verkoopprijs: € 2.895



Grey-Black



White-Red



Black

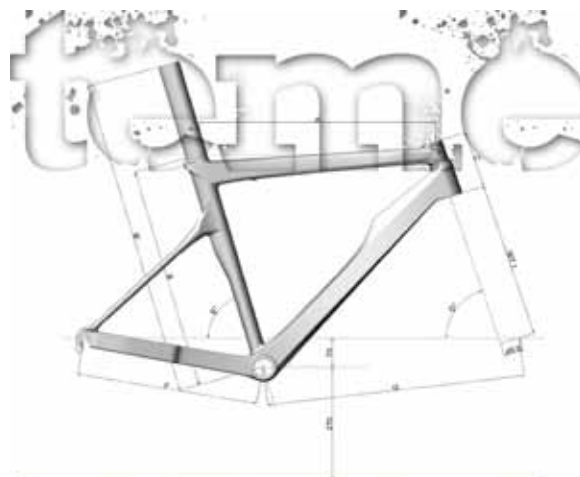


TABLE / SIZE	A	B/M1	C	D	E	F	G
S	520	510/750	120	71.5°	74.5°	410	576
M	535	526/750	135	72°	74°	420	583
L	555	500/750	155	74°	73.5°	410	599
XL	575	576/750	180	72°	71°	410	614

- Highest modulus carbon fibre IM 600 monocoque frame
- Weight: 1.050 Grams for the M size
- Four sizes: S, M, L, XL
- Bottom Bracket BSA
- Finish: external layer 3K

- Integrated aerodynamic Seat Tube
- Dedacciai TEMERARIO saddle clamp (included)
- Fork weight: 350 Grams (carbon dropout)
- Head Tube for integrated Head Set 1"1/8 top - 1"1/2 bottom
- Dedacciai compatible and recommended Head Set: MSS118112 (included)

## Super Scuro

Advies verkoopprijs: € 2.495



White & Blue-Red



Black & White



White & Black

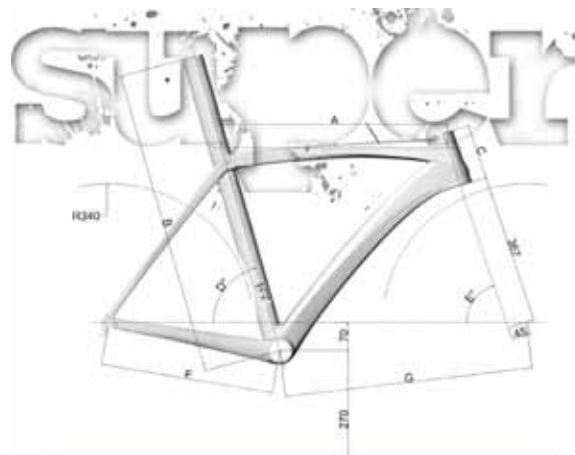


TABLE / SIZE	A	B	C	D	E	F	G
XS	505	690	106	75°	71.5°	407	565
S	520	690	120	74.5°	71.5°	407	577
M	535	730	135	74.5°	72°	410	588
L	555	750	155	73.5°	74°	410	599
XL	575	780	180	73°	71°	413	605

- Highest modulus carbon fibre IM 600 monocoque frame
- Weight: 990 Grams for the M size
- Five sizes: XS, S, M, L, XL
- Bottom Bracket BSA
- Finish: external layer 3K

- Internal cable routing: top tube and down tube
- Integrated aerodynamic Seat Tube
- Dedacciai KINGPIN saddle clamp (included)
- Fork weight: 350 Grams (carbon dropout)
- Head Tube for integrated Head Set 1"1/8 top - 1"1/2 bottom
- Dedacciai compatible and recommended Head Set: MSS118112 (included)

## Scuro RS

Advies verkoopprijs: € 2.150



White & Green



White & Red

White & Orange

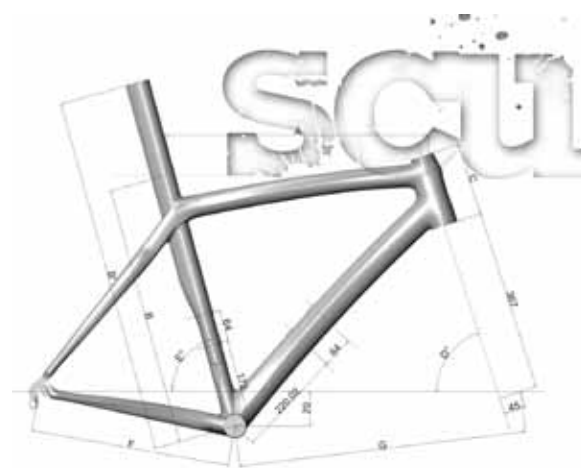


TABLE / SIZE	A	B/91	C	D	E	F	G
XS	505	488/490	106	71.5"	75"	407	585
S	520	501/490	120	71.5"	74.5"	407	576
M	535	526/730	147	72"	74.5"	407	588
L	550	556/750	173	72"	73.5"	410	594
XL	580	570/780	188	73"	73"	410	610

- Highest modulus carbon fibre IM 600 monocoque frame
- Weight: 950 Grams for the M size
- Five sizes: XS, S, M, L, XL
- Bottom Bracket BSA
- Finish: external layer 3K

- Integrated aerodynamic Seat Tube
- Dedacciai KINGPIN saddle clamp (included)
- Fork weight: 350 Grams (carbon dropout)
- Head Tube for integrated Head Set 1"1/8 top - 1"1/2 bottom
- Dedacciai compatible and recommended Head Set: MSS118112 (included)

## Assoluto RC

Advies verkoopprijs: € 2.295



White & Black



Black & Red

Black & White

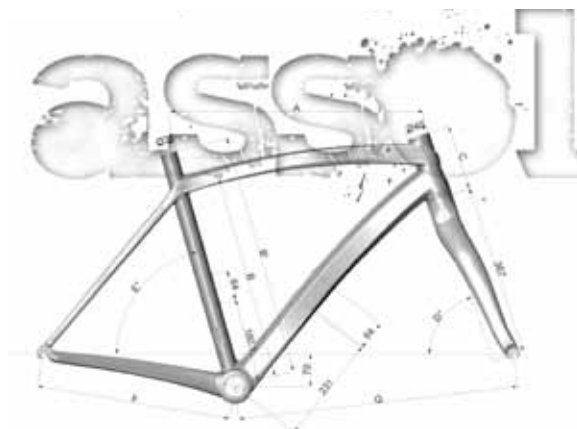


TABLE / SIZE	A	B/91	C	D	E	F	G
S	520	415/480	120	73.5	74.5	407	576
M	535	440/500	140	72.0	74.5	407	588
L	550	470/520	155	72.0	73.5	410	594
XL	570	490/540	170	73.0	73.0	410	600
XXL	585	510/560	190	73.0	72.5	413	609

- Highest modulus carbon fibre T800 monocoque frame
- Weight: 1.050 Grams for the M size
- Five sizes: S, M, L, XL, XXL
- Bottom Bracket BSA
- Finish: external layer UD
- Seat Tube for 31,6 mm OD Seat Post

- Internal cable routing: top tube
- Electronic system compatible (DURA-ACE 7970 Series EW-7975)
- Fork weight: 390 Grams (carbon dropout)
- Head Tube for integrated Head Set 1"1/8 top - 1"1/2 bottom
- Dedacciai compatible and recommended Head Set: SSDIFF83 (included)

## Assoluto

Advies verkoopprijs: € 1.795



White & Green



White & Black



White & Red

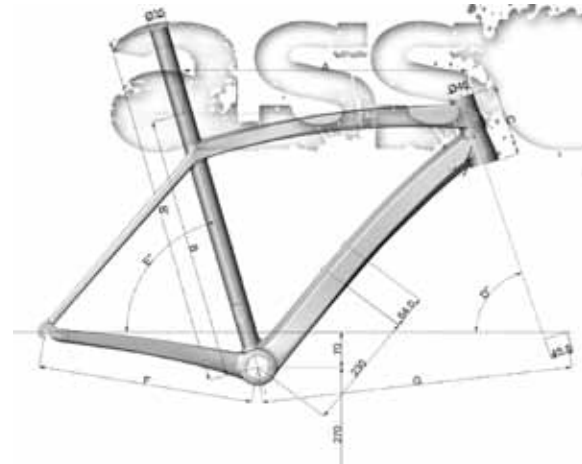


TABLE / SIZE	A	B/B1	C	D	E	F	G
S	520	500/700	120	71.5"	74.5"	407	576
M	535	518/718	140	72"	74.5"	407	588
L	550	540/740	155	72.5"	73.5"	410	594
XL	570	560/760	170	73"	73"	410	600
XXL	585	580/780	190	73"	72.5"	413	609

- Highest modulus carbon fibre T700 monocoque frame
- Weight: 1.100 Grams for the M size
- Five sizes: S, M, L, XL, XXL
- Bottom Bracket BSA
- Finish: external layer UD
- SSDIFF83 (included)

- Integrated Seat Tube
- Dedacciai CORTO saddle clamp (included)
- Fork weight: 390 Grams (carbon dropout)
- Head Tube for integrated Head Set 1"1/8 top - 1"1/2 bottom
- Dedacciai compatible and recommended Head Set:

## Nerissimo

Advies verkoopprijs: € 1.495



White & Black



Black & White

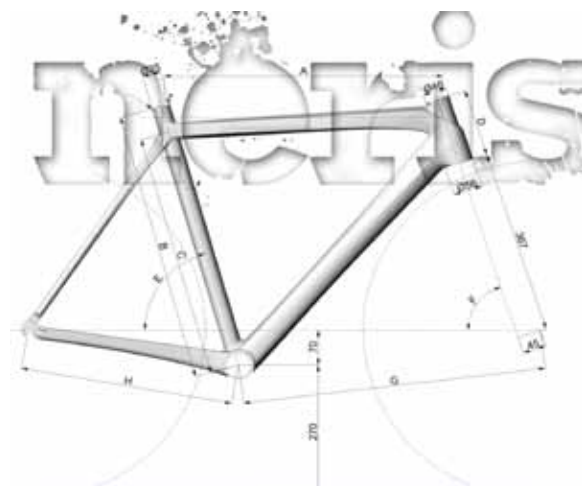


TABLE / SIZE	A	B	C	D	E	F	H
XS	505	485	435	106	73"	73.5"	365
S	520	505	452	120	74.5"	73.5"	377
M	535	540	485	135	74"	72"	383
L	555	555	502	155	73.5"	72"	399
XL	575	585	538	180	73"	73"	413

- Highest modulus carbon fibre T700 monocoque frame
- Weight: 1.150 Grams for the M size
- Five sizes: XS, S, M, L, XL
- Bottom Bracket BSA
- Finish: external layer UD

- Seat Tube for 31,6 mm OD Seat Post
- Internal cable routing: top tube
- Fork weight: 410 Grams (carbon dropout)
- Head Tube for integrated Head Set 1"1/8 top - 1"1/2 bottom
- Dedacciai compatible and recommended Head Set: SSDIFF83 (included)

## Titanium

Advies verkoopprijs: € 2.895

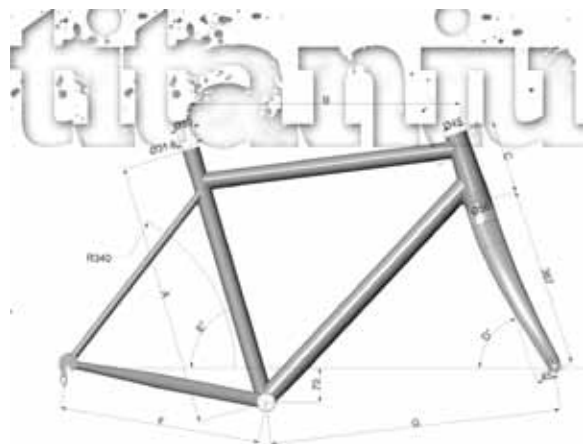


TABLE / SIZE	A	B	C	D	E	F	G
S	487	519	101	73,5"	74,5"	407	574
M	510	535	123	72"	74,5"	407	587
L	540	550	150	72"	73,5"	410	593
XL	560	578	165	73"	73"	410	600
XXL	580	585	184	73"	72,5"	411	609

- TITANIUM frame
- Weight: 1.350 Grams for the M size
- Five sizes: S, M, L, XL, XXL
- Bottom Bracket BSA
- Finish: paint and metal polish

- Seat Tube for 31,6 mm OD Seat Post
- Fork weight: 350 Grams (carbon dropout)
- Head Tube for integrated Head Set 1"1/8 top – 1"1/2 bottom
- Dedacciai compatible and recommended Head Set: MSS118112 (included)

## Chrono

Advies verkoopprijs: € 2.695

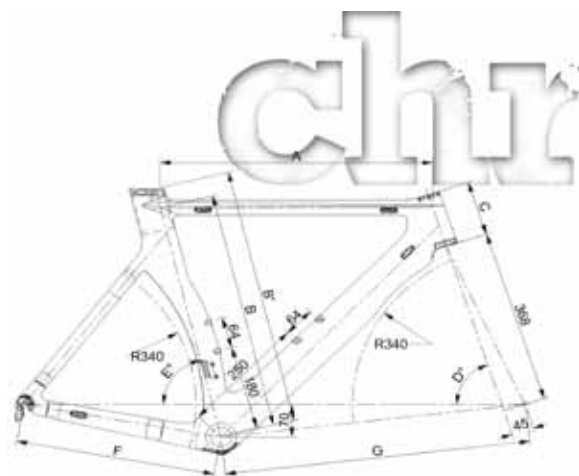


TABLE / SIZE	A	B/BI	C	D	E	F	G
S	507	474/525	105	72,0	76,0	395	576
M	538	504/545	125	72,0	76,0	395	604
L	553	519/565	130	73,0	76,0	395	611
XL	588	539/585	150	73,0	76,0	395	627

- Highest modulus carbon fibre T800 S monocoque frame
- Weight: 1,250 Grams for the M size
- Four sizes: S, M, L, XL
- Bottom Bracket BSA
- Finish: external layer 3K
- Carbon dropout

- Internal cable routing: top tube and down tube
- Aerodynamic Seat Post (included)
- Fork weight: 390 Grams (carbon dropout)
- Head Tube For integrated Head Set
- Dedacciai compatible and recommended Head Set: SSI2 (included)

OFF ROAD

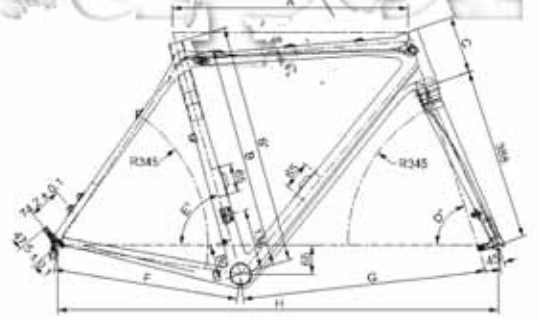
# Dedacciai

## Super Cross

Advies verkoopprijs: € 2.295



super



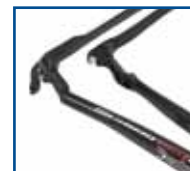
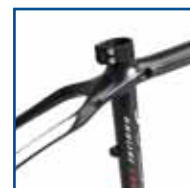
SIZE / SIZE	A	B/H	C	D	E	F	G	H
S	520	480/520	130	71.0°	74.5°	425	582	1002
M	540	500/540	130	71.5°	74.0°	425	594	1011
L	555	520/560	140	72.0°	73.5°	425	600	1021
XL	570	540/580	150	72.5°	73.0°	425	604	1024

- Highest modulus carbon fibre 30T MRC MR 60 monocoque frame
- Weight: 1.050 Grams for the M size
- Four sizes: S, M, L, XL
- Bottom Bracket PRESS FIT 92 MM
- Seat Tube for 27,2 mm OD Seat Post
- Finish: external layer UD

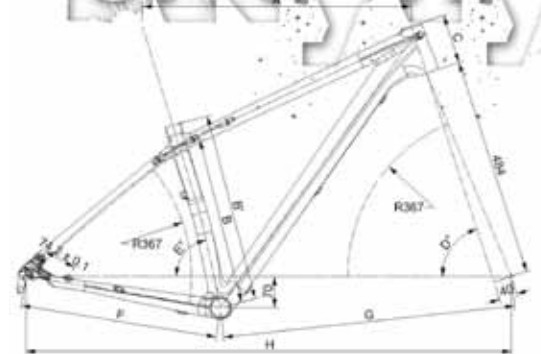
- Internal cable routing: top tube and down tube
- External hydraulic cable
- Only disc brake compatible
- Fork weight: 420 Grams
- Head Tube for integrated Head Set 1"1/8 top – 1"1/2 bottom
- Head Set Dedacciai compatible and recommended: SSCC112 (included)

## Skyline Evo

Advies verkoopprijs: € 1.995 (met vork) / € 1.695 (zonder vork)



skyly



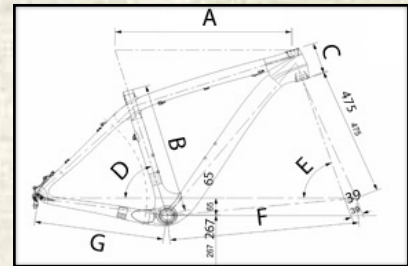
SIZE / SIZE	A	B/H	C	D	E	F	G	H
S	580	340/400	100	71.0°	73.0°	440	648	1079
M	600	370/440	110	72.0°	73.0°	440	658	1089
L	620	430/480	125	72.0°	73.0°	440	678	1109
XL	640	460/520	145	72.0°	73.0°	440	698	1129

- Highest modulus carbon fibre 30T MRC MR 60 monocoque frame
- Weight: 1.200 Grams for M size
- Four sizes: S, M, L, XL
- Bottom Bracket PRESS FIT 92 MM
- Finish: external lamination UD
- Internal cable routing: top tube and down tube
- External hydraulic cable

- Seat Tube for 31,6 mm OD Seat Post
- Fork weight: 600 Grams
- Head Tube for integrated different diameters Head Set 1"1/8 top – 1"1/2 bottom
- Dedacciai compatible and recommended Head Set: MSS118112 (included)
- Available without the Dedacciai F72 fork



**FEW  
WORDS,  
A LOT OF  
CONTENT.**



- » Highest modulus carbon fibre T700 monocoque frame
- » Frame weight: 1.050 gr for the M size
- » Fork weight: 550 gr (carbon dropout)
- » Sizes: 17", 19", 21"
- » Bottom bracket BSA
- » Finish: External layer 3K
- » Seat Tube for Ø 31,6 mm Seat post
- » Head tube for integrated Head Set 1"1/8

Skyline 29,  
the frame that  
talks for the  
coming years.

# Skyline

Advies verkoopprijs: € 1.595

voor meer info:

[www.dedacciaistrada.com](http://www.dedacciaistrada.com)

SIZES	A	B	C	D°	E°	F	G
17"	585	432	110	74°	72°	630	445
19"	605	482	117	74°	72°	650	445
21"	620	531	129	74°	72°	665	445



voor meer info:  
[www.dedacciaistrada.com](http://www.dedacciaistrada.com)

H.O. Louis Verwimp B.V.  
T: 040-2041515  
[www.verwimp.nl](http://www.verwimp.nl)

**SEASON 2011. THE WINNING ELEMENT.**



**Deda**  
ELEMENTI

[www.dedaelementi.com](http://www.dedaelementi.com)